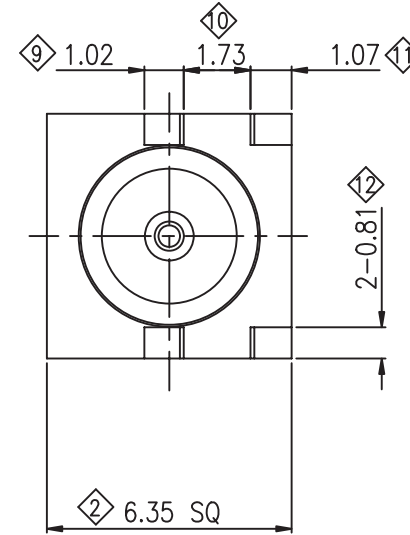
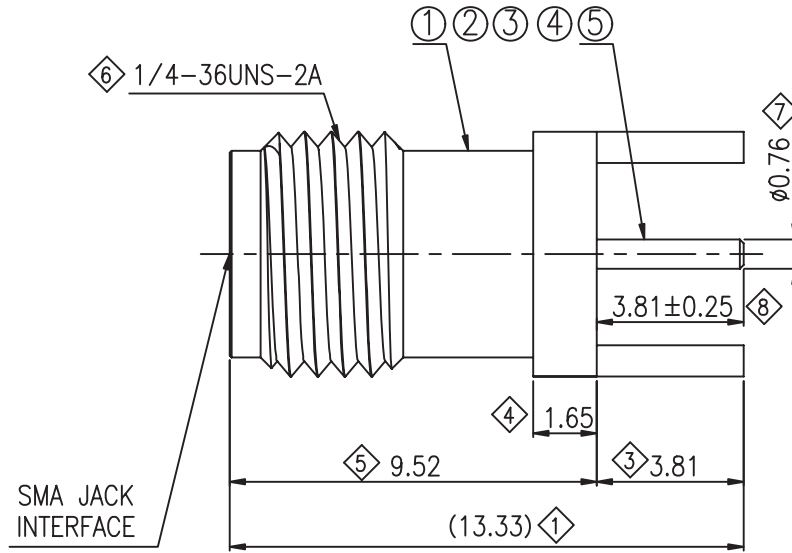


REV	DATE	ECO NO.	DESCRIPTION	DESIGN	CHECK	APPD
A	20070518		NEW RELEASE			
B1	20071130	R20070082				



NOTES:

- THIS CONNECTOR IS SMA JACK END LAUNCH JACK RECEPTACLE.
- ALL THE PARTS COMPLIANT TO RoHS.



ITEM	NAME	SPEC.	FINISH	Q'TY
5	SOCKET CONTACT	BERYLLIUM COPPER	GOLD 0.13um MIN OVER NICKEL	1
4	LOCK RING	BRASS	THIN GOLD MIN OVER NICKEL	1
3	INSULATOR	PTFE	NONE	1
2	INSULATOR	PTFE	NONE	1
1	BODY	BRASS	THIN GOLD OVER NICKEL	1

FOR CUSTOMER DRAWING

TOLERANCES WITHOUT DIMENSIONS		DESIGN	DWG.NO	SMA JACK				
LINEAR	0.0±0.2	DRAWN	TITLE					
	0.00±0.1	CHECK	PART NO					
ANGLES	±1'	APPD	2007.05.18	UNIT	mm	SIZE	A4	
				SHEET:1/1	SCALE	5:1	REV	B