

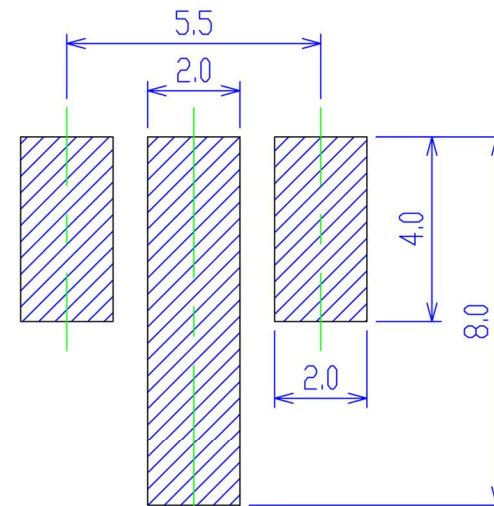
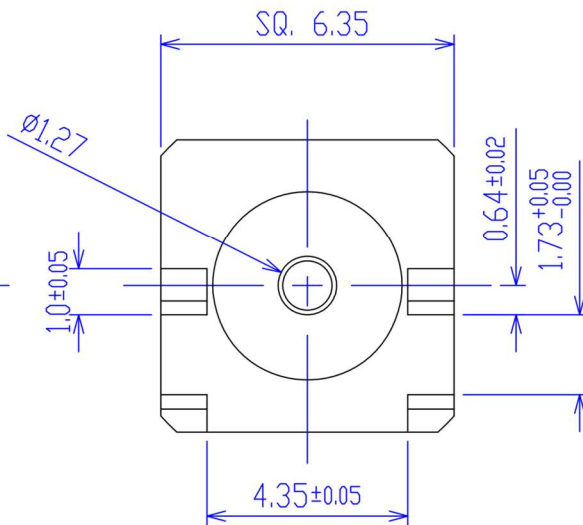
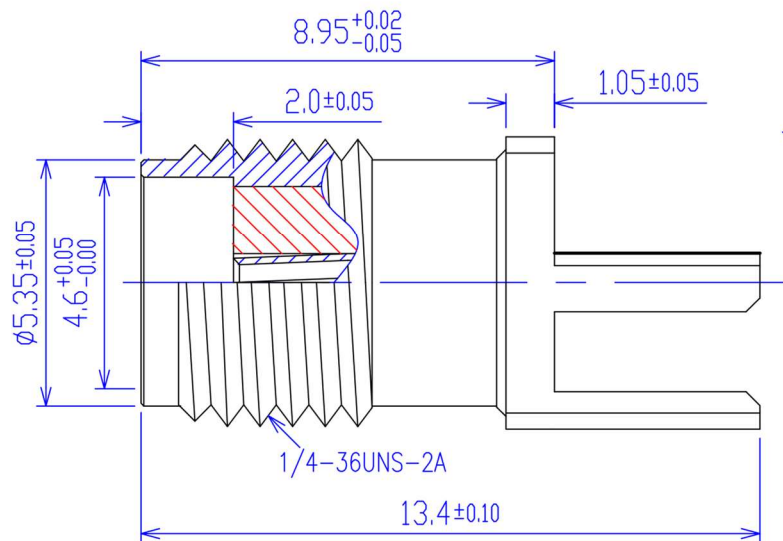
NOTES: TYPICAL SPECIFICATIONS

1.0. ELECTRICAL DATA

- 1.1. FREQUENCY RANGE --- DC ... 3 GHz
- 1.2. IMPEDANC --- 50 Ohms
- 1.3. VSWR --- < 1.25
- 1.4. DIELECTRIC WITHSTANDING VOLTAGE --- 500 Vrms
- 1.5. WORKING VOLTAGE --- 170 Vrms max.
- 1.6. INSULATION RESISTANCE --- 5000 Mega-Ohms
- 1.7. CENTER CONTACT RESISTANCE --- 4.0 mini-Ohms
- 1.8. OUTER CONTACT RESISTANCE --- 2.5 mini-Ohms

2.0. MECHANICAL DATA

- 2.1. COUPLING METHOD --- THREADED
- 2.2. DURABILITY (MATING/UNMATING) --- 500 Cycles
- 2.3. COUPLING NUT RETENTION --- 60 lbs
- 2.4. MATING TORQUE --- 10 in-lbs max.



PCB Layout



BOM

ITEM	ITEM NAME	MATERIAL	FINISH	Q'TY/EA	PART NUMBER
3	FEMALE INSULATOR	TEFLON		1	
2	FEMALE CONDUCTOR	PHOSPHOR BRONZE	GOLD	1	
1	JACK BODY	BRASS	GOLD	1	

THIS DRAWING IS A CONTROLLED DOCUMENT

GENERAL TOLERANCE	ANGLE TOLERANCE
.X ±0.38	.X' ±3.0'
.XX ±0.15	.X' ±2.0'
.XXX ±0.05	.XX' ±1.0'

- UNLESS OTHERWISE SPECIFIED
- 1. REMOVE ALL BURRS
- 2. BREAK ALL SHARP EDGES 0.2 MAX.
- 3. CHAMFER 1ST-LAST THREADS 45°
- 4. MACHINE SURFACE ROUGHNESS
- 5. DIAMETERS ON CONE ON CENTERS TO BE CONCENTRIC WITHIN 0.2 T.I.R.
- 6. ALL DIMENSIONS ARE AFTER PLATING

MATERIAL	FINISH
SEE BOM	SEE BOM

DRAWN	DATE
ABIN	07/17/2012
CHECKED	DATE
APPROVED	DATE
UNIT	mm [INCHES]
CUSTOMER DRAWING	RFQ NO: 1010703

SECTRON	
TITLE SMA jack St PCB Edge Mount	
SIZE	PART NO.
A3	A0972-50111T0
REV.	D
SHEET 1 OF 1 SCALE 5 : 1	
FILE NO: A0972-50311T0-D	