



GPS ANTENNA

Antenna GPS Magnet Mount EA-200,
28 dB, SMA (m), RG174/2m

AP-A20S-M2

SECTRON company offers a wide portfolio of GPS antennas with various versions differing in shape, level of gain and manner of attachment. SECTRON guarantees a compatible connection between an antenna and all antenna adaptors produced by SECTRON.

BENEFITS

- Low VSWR
- Easy installation
- Optimized radiation pattern



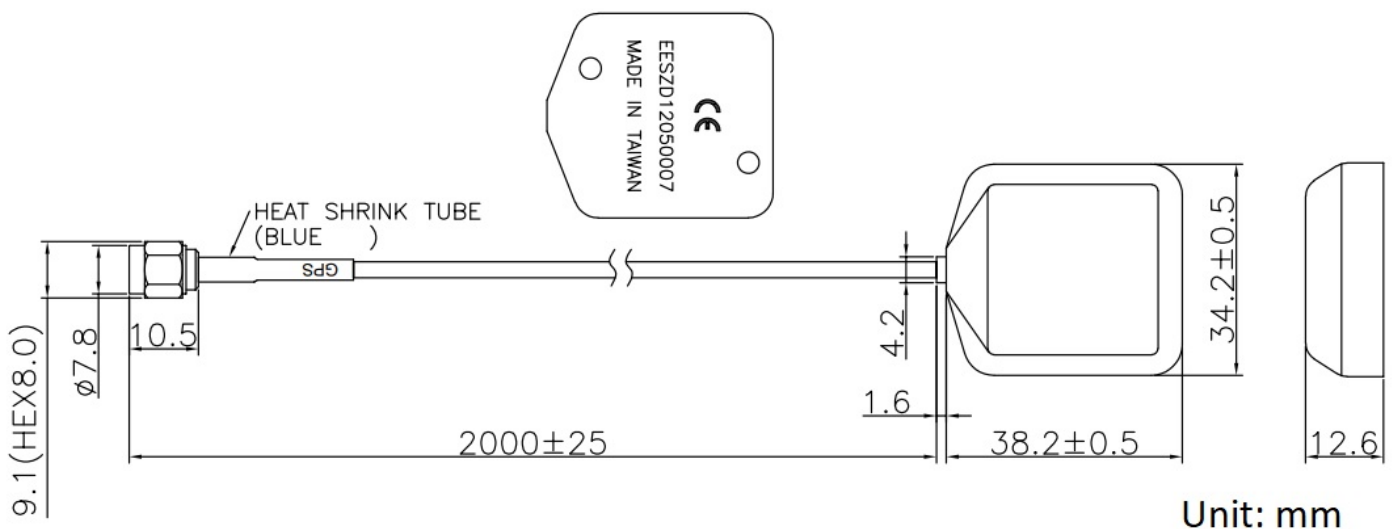
FEATURES

AP-A20S-M2

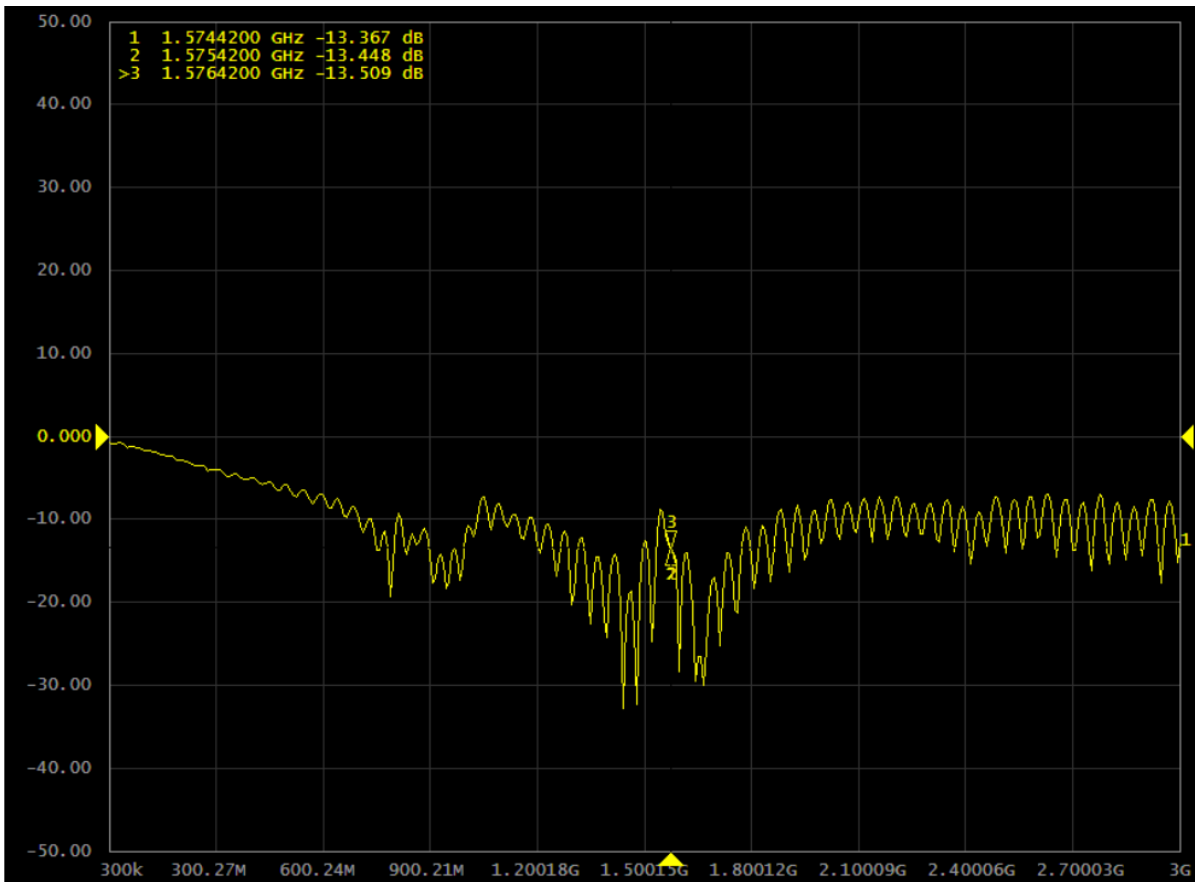
Technology	GPS
Frequency bands	1575.42 MHz
Bandwidth	15 MHz
Gain	-2 dBic
LNA gain	30 dB
VSWR	<1.51:1
Impedance	50 Ohm
Directivity	Directional
Beam angle	Attached graphs bellow
Polarization	R.H.C.P
Maximum input power	10 W
Power voltage	3 - 5 V
Dimensions	38.2 x 34.2 x 12.6 mm
Weight	49.6 g
Operating temperature	-20 to +60 °C
Execution	External
Method of attachment	Magnet mount
Cable type	RG174/U
The cable length	2 m
Connector type	SMA(m)
Material	ABS
Certification	RoHS, ISO9001, ISO14001

DRAWING

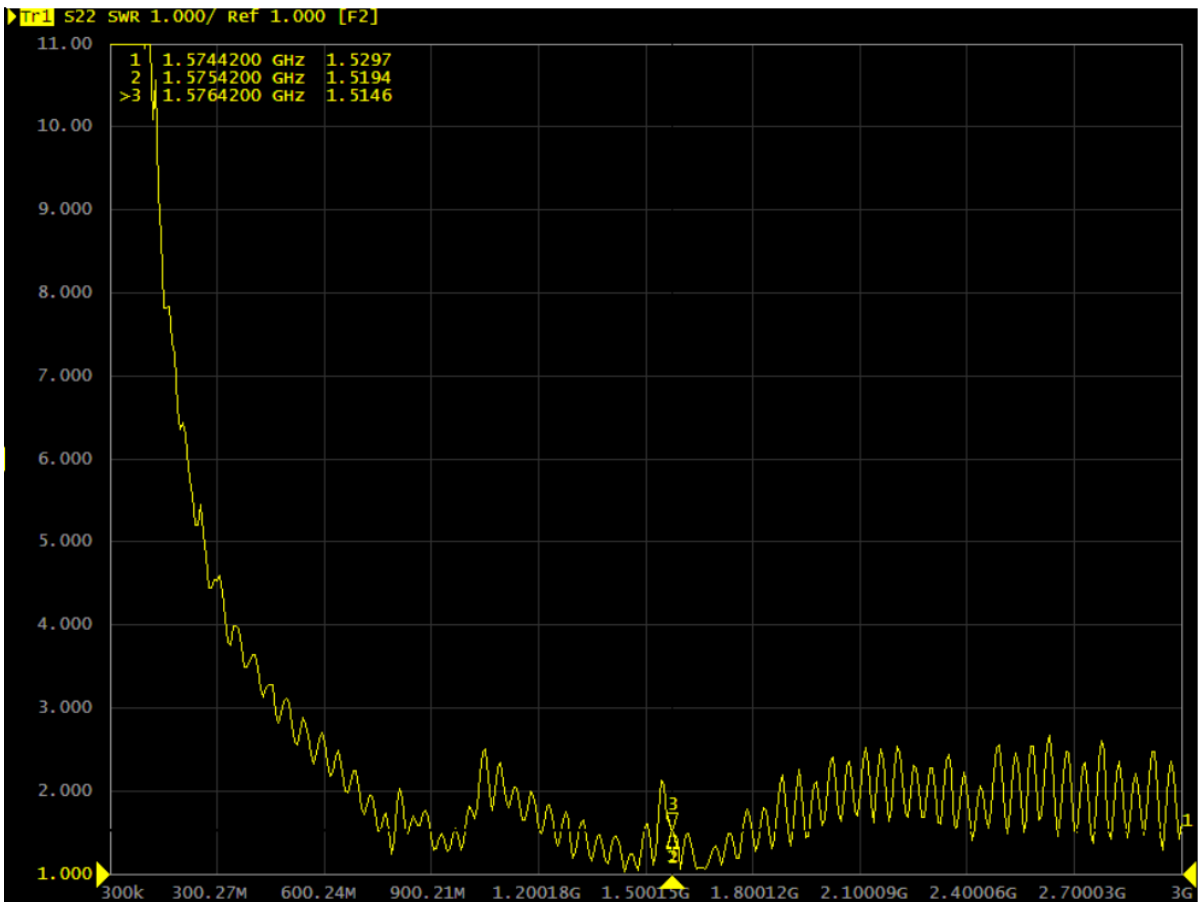
Sticker : PK-249



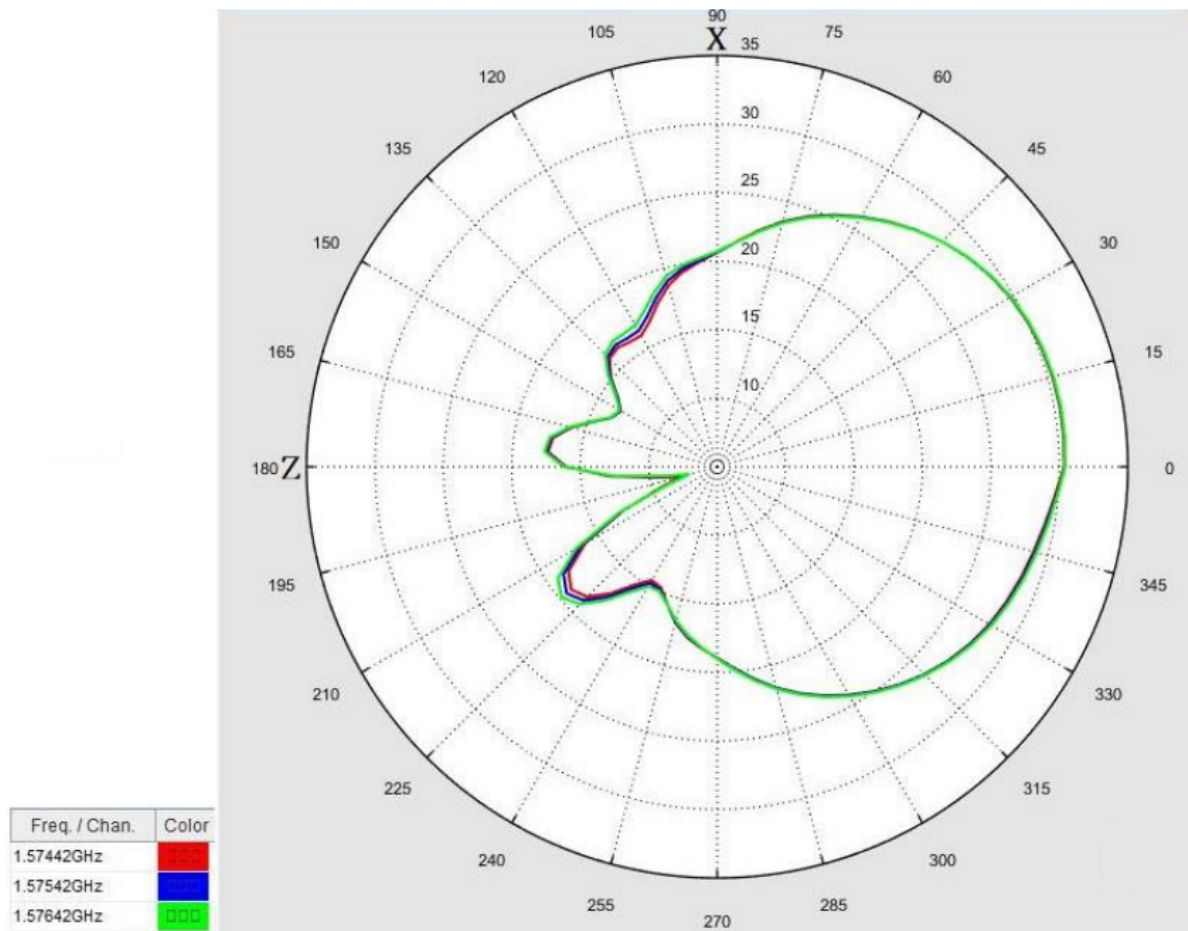
S_{11} - Return loss [dB]



VSWR - Voltage standing wave ratio [-]



RADIATION PATTERN



SUMMARY

Frequency [MHz]	S_{11} [dB]	VSWR [-]	Gain [dBi]
1574.42	-13.37	1.53	30.371
1575.42	-13.45	1.52	30.41
1576.42	-13.51	1.51	30.44

VARIANTS

Different connector variants or cable lengths are available on request.

CONTACTS

SECTRON s.r.o. Josefa Šavla 1271/12
709 00 Ostrava 9, Czech Republic

WWW.SECTRON.CZ
Tel.: +420 556 621 020