



GNSS ANTENNA

Antenna GPS/GLONASS Adhesive 30
SMA(m), RG174/3m

AP-AGNSS-30S

SECTRON company offers a wide portfolio of 868 antennas with various versions differing in shape, level of gain and manner of attachment. SECTRON guarantees a compatible connection between an antenna and all antenna adaptors produced by SECTRON.

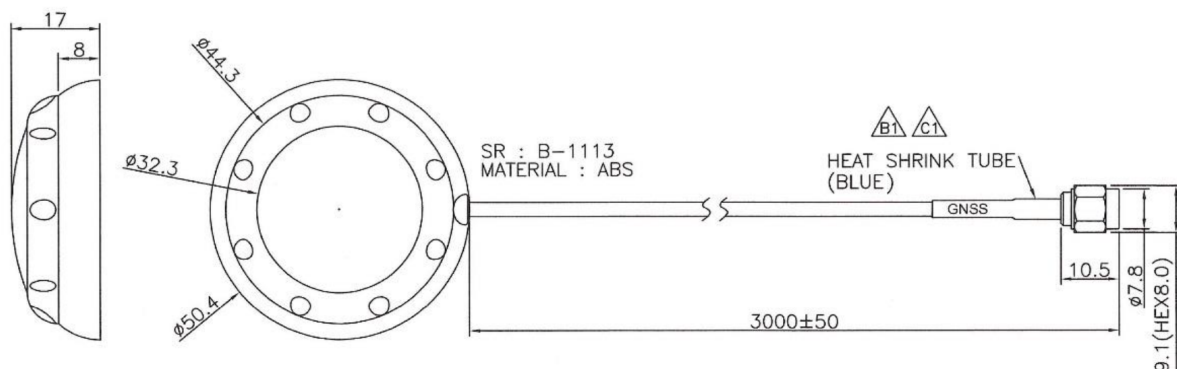


BENEFITS

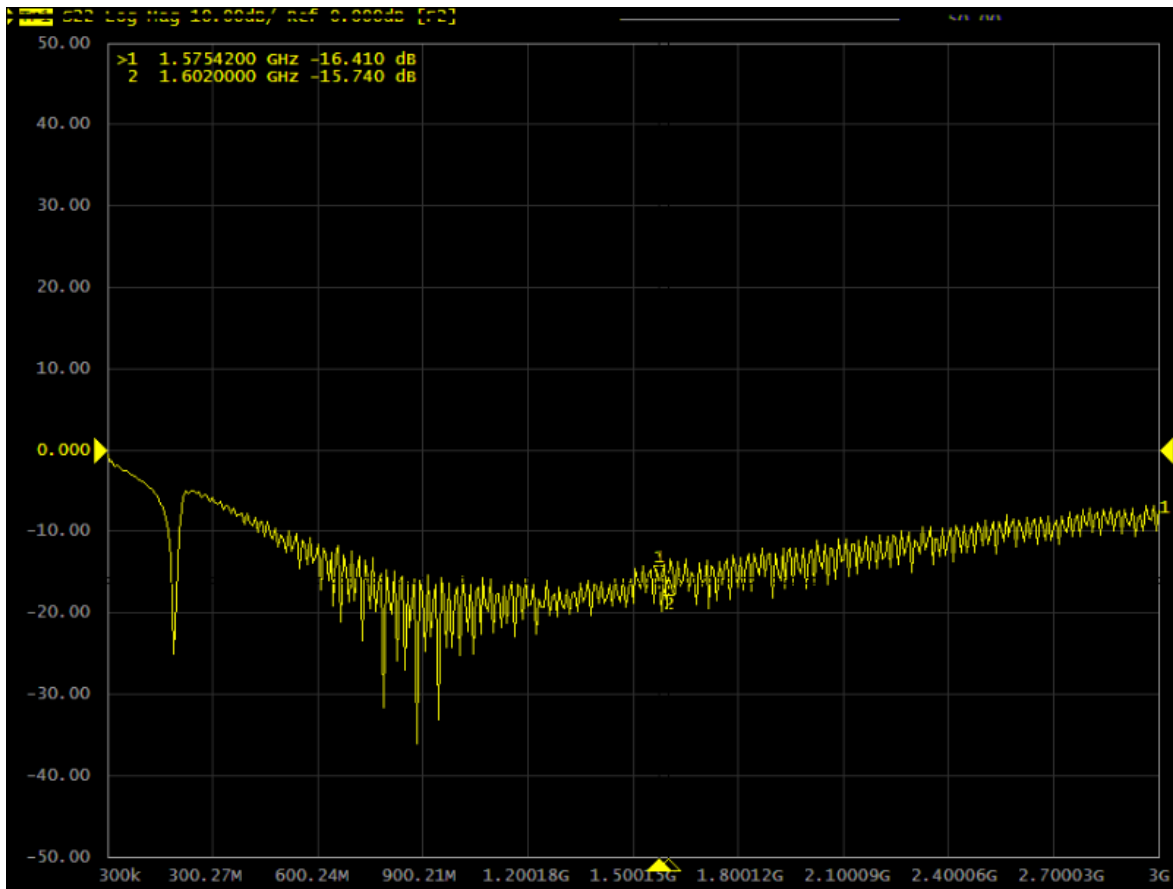
- Low VSWR
- High gain

Technology	GPS/GLONASS
Frequency bands	1575.42/1602 MHz
Bandwidth	-
Gain	3 dBi
LNA Gain	27 dB
VSWR	<1.42:1
Impedance	50 Ohm
Directivity	Omnidirectional
Beam angle	H 360° V 30°
Polarization	R.H.C.P.
Maximum input power	10 W
Power voltage	2.5 – 5.5 V
Dimensions	Ø 50.5 x 17 mm
Weight	67 g
Operating temperature	-30 to +80 °C
Execution	External
Method of attachment	Adhesive
Cable type	RG174/U
The cable length	3 m
Connector type	SMA(m)
Certification	RoHS

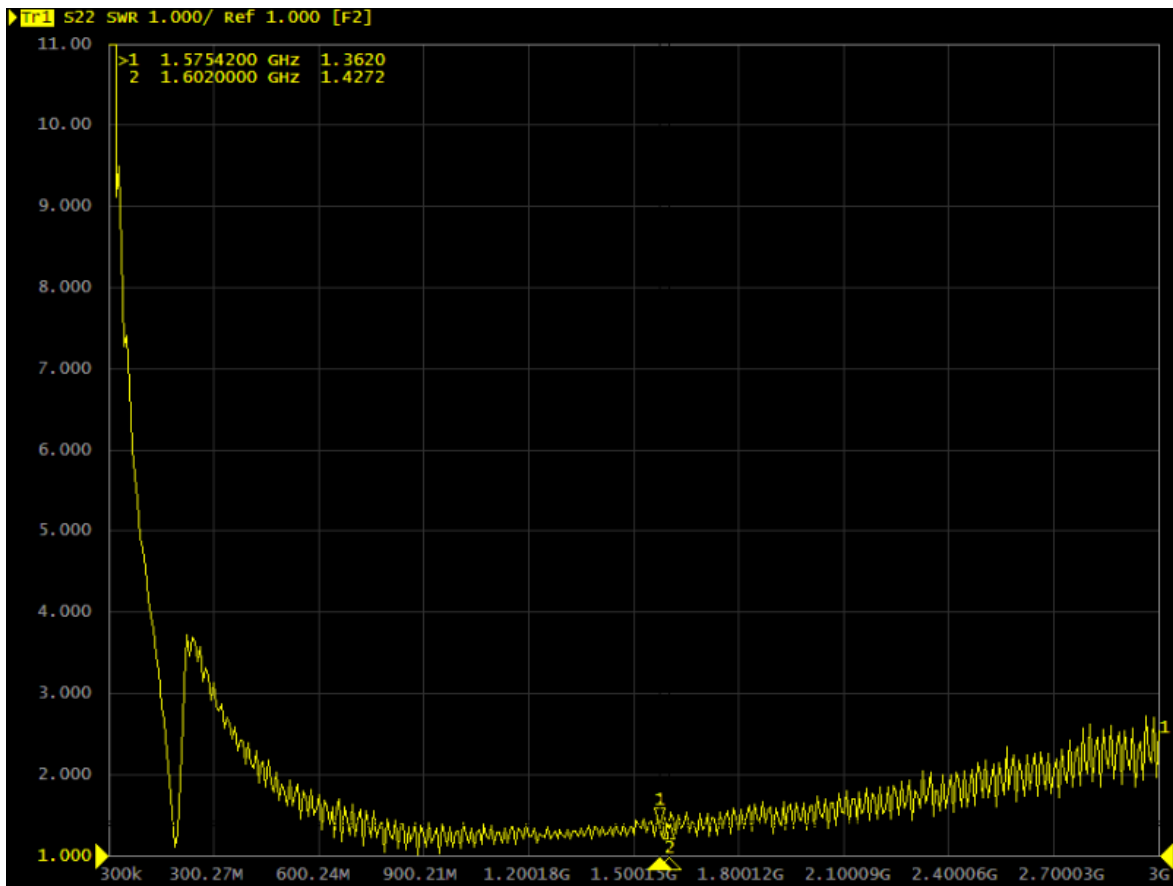
DRAWING



S_{11} - Return Loss [dB]



VSWR – Voltage standing wave ratio [-]



SUMMARY

AP-AGNSS-30S

Frequency [MHz]	S_{11} [dB]	VSWR [-]	Gain [dBi]
1575.42	-16.41	1.36	31.41
1602	-15.74	1.42	23.55

VARIANTS

AP-AGNSS-30S

Different connector variants or cable lengths are available on request.

CONTACTS

SECTRON s.r.o. Josefa Šavla 1271/12
709 00 Ostrava 9, Czech Republic

WWW.SECTRON.CZ
Tel.: +420 556 621 020