



GNSS ANTENNA

Antenna GNSS L1/L2 (R55),
RG174U/5m, SMA(m)

AP-AGNSS-55S

SECTRON company offers a wide portfolio of GPS/GLONASS antennas with various versions differing in shape, level of gain and manner of attachment. SECTRON guarantees a compatible connection between an antenna and all antenna adaptors produced by SECTRON.



BENEFITS

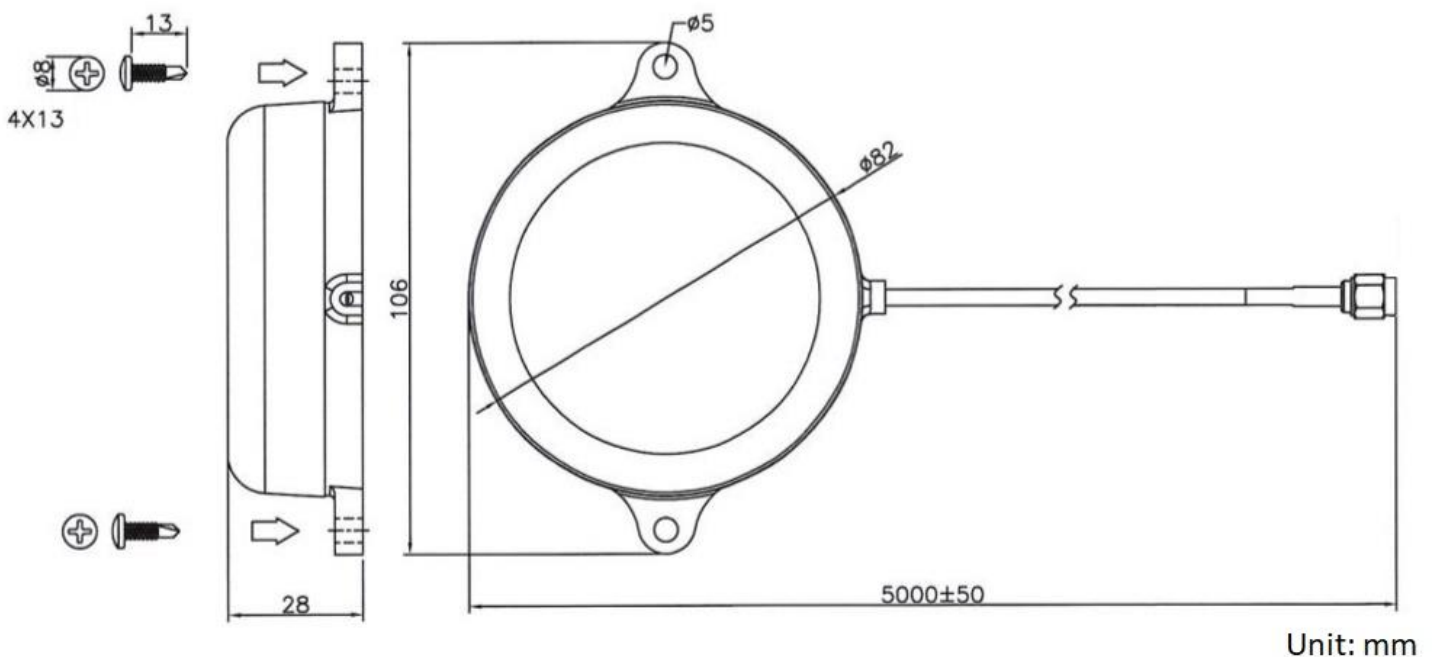
- Easy installation
- High LNA gain
- Suitable for moving devices

FEATURES

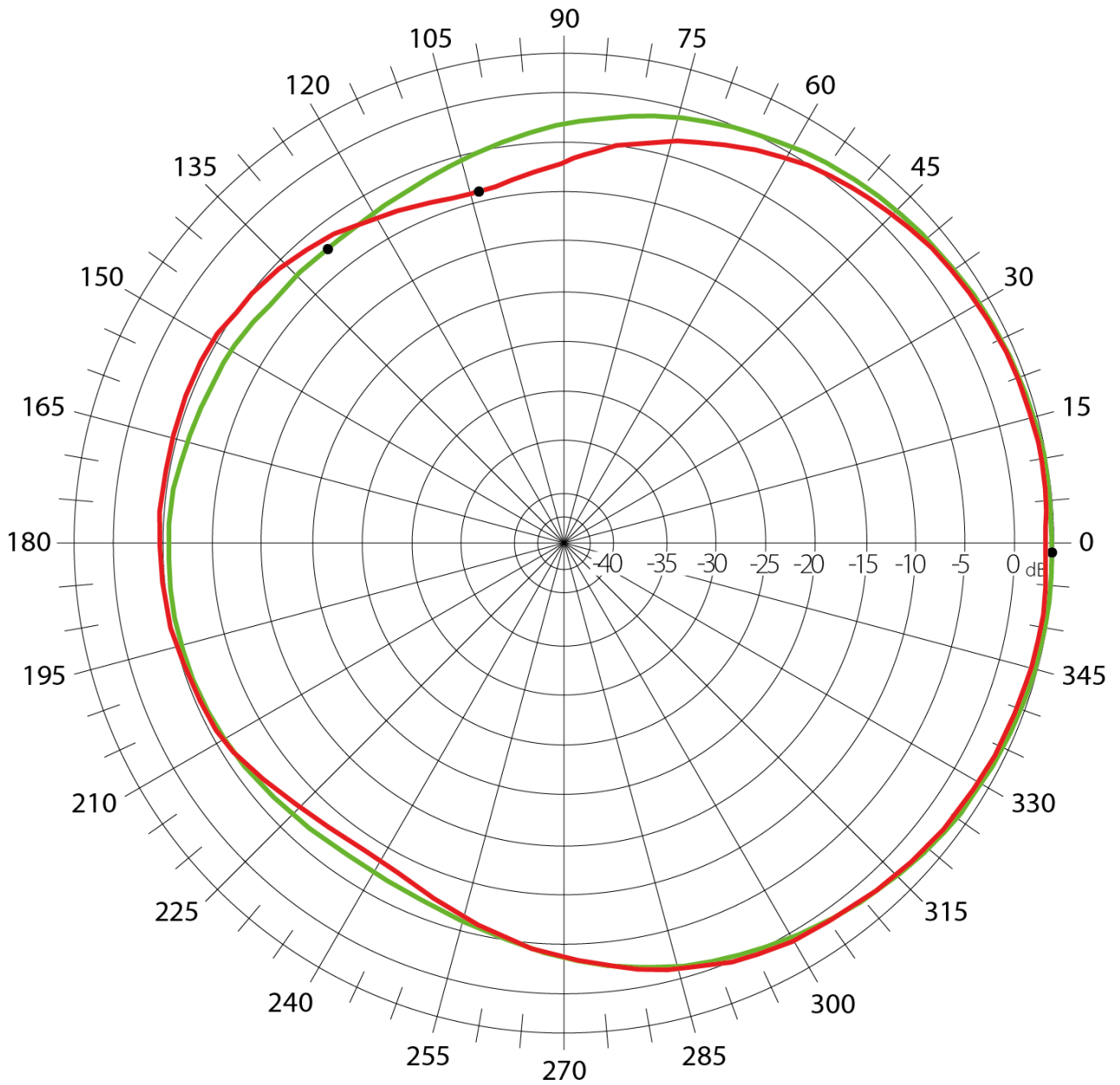
AP-AGNSS-55S

Technology	GPS(L1)/GPS(L2)/GLONASS
Frequency bands	1575.42/1227.6/1602.6 MHz
Bandwidth	10 MHz
Gain	0/1.5/3 dBi
LNA Gain	25/25/23 ± 3 dBi
VSWR	<2.0:1
Impedance	50 Ohm
Directivity	Directional
Beam angle	Attached graphs below
Polarization	R.H.C.P.
Maximum input power	10 W
Power voltage	2.5 – 5.5 V
Dimensions	Ø82 x 28 mm
Weight	206.66 g
Operating temperature	-20 to +65 °C
Execution	External
Method of attachment	Mounting
Cable type	RG174/U
The cable length	5 m
Connector type	SMA(m)
Certification	ISO 9001, ISO14001, RoHS

DRAWING

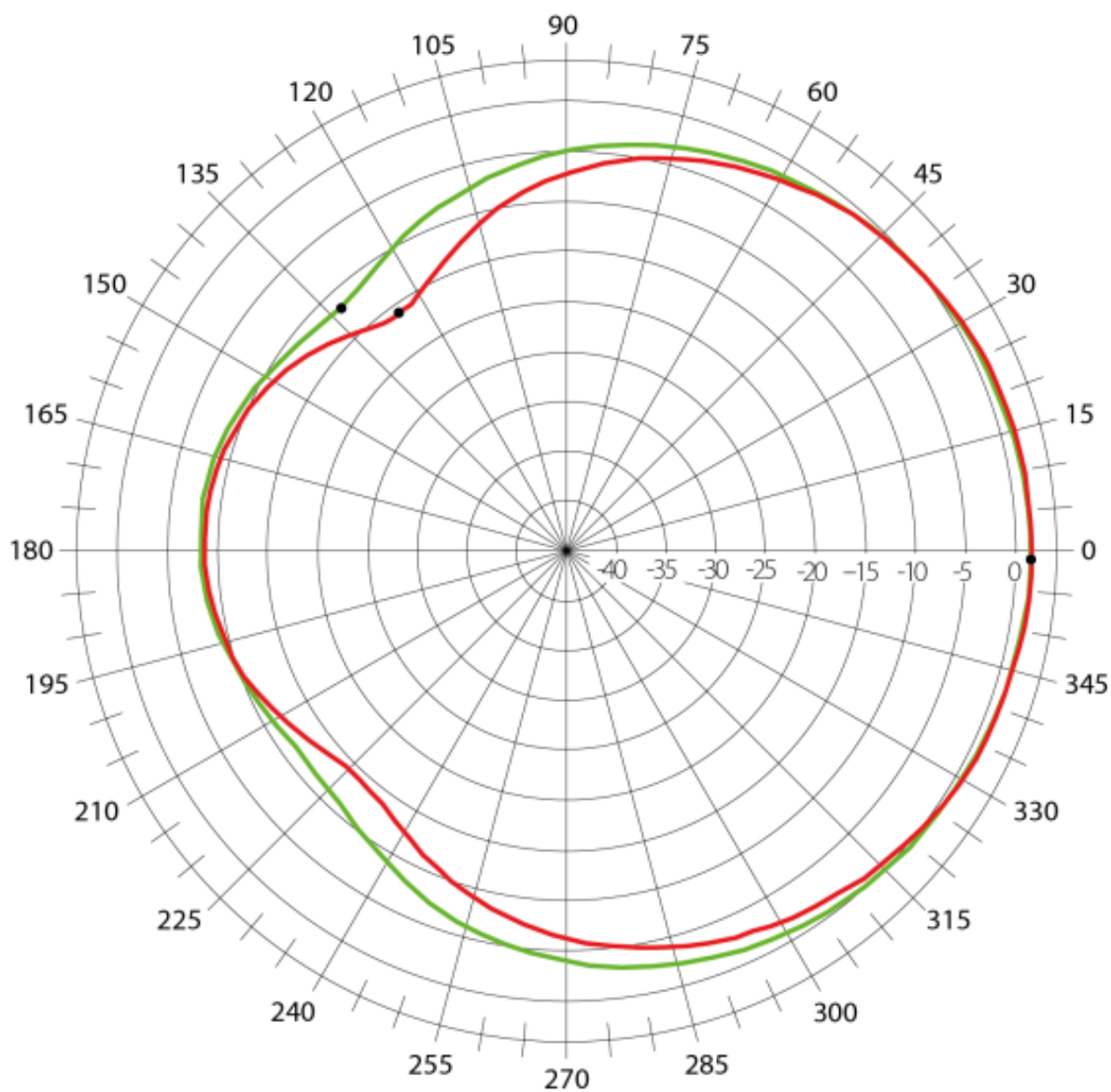


RADIATION PATTERN – 1575.42 MHz



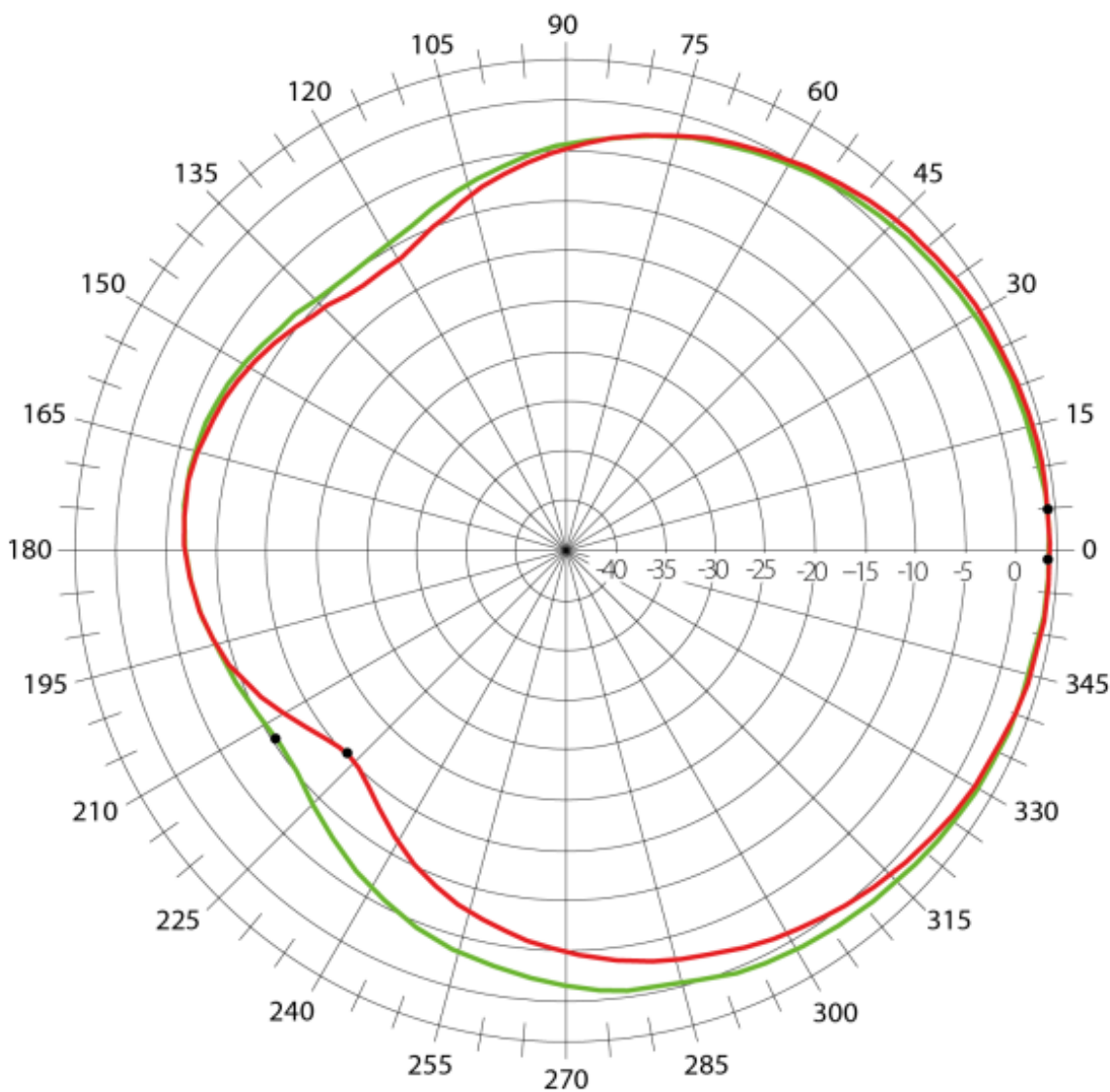
	Freq	Max Gain (dBi)	Min Gain (dBi)	Avg Gain (dBi)	Test Mode
■	1227.6 MHz	3.45/359.00	-9.02/104.00	-0.80	XZ
■	1227.6 MHz	3.74/359.00	-7.12/129.00	-0.54	YZ

RADIATION PATTERN – 1575.42 MHz



	Freq	Max Gain (dBi)	Min Gain (dBi)	Avg Gain (dBi)
■	1575.42 MHz	1.53/359.00	-15.88/125.00	-3.24
■	1575.42 MHz	1.26/359.00	-11.68/133.00	-2.79

RADIATION PATTERN –1602 MHz



	Freq	Max Gain (dBi)	Min Gain (dBi)	Avg Gain (dBi)
■	1602 MHz	3.37/5.00	-15.28/223.00	-1.38
■	1602 MHz	3.19/359.00	-10.44/213.00	-0.97

VARIANTS

Different connector variants or cable lengths are available on request.

CONTACTS