



GPS/GLONASS

Antenna GPS/GLONASS

Adhesive 057, SMA(m), RG174/3m

AP-AGNSS-A057S

SECTRON company offers wide portfolio GPS/GLONASS antennas with various versions differing in shape, level of gain or attachment manner. SECTRON guarantees compatible connection between antenna and all antenna adaptors produced by SECTRON.

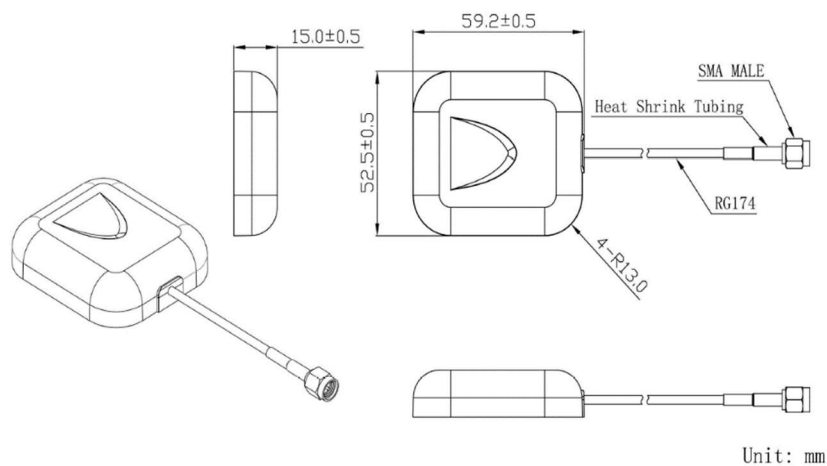
BENEFITS

- Low VSWR
- Omnidirectional - suitable for moving devices
- Easy installation



Technology	GPS/GLONASS
Frequency bands	1575.42/1602 Mhz
Bandwidth	5 MHz
Gain	26-48 dBi
VSWR	<2.0: 1
Impedance	50 ohm
Directivity	Omnidirectional
Beam angle	H 360° V 30°
Polarization	RHCP
Maximum input power	10W
Power voltage	2.2-5V DC
Dimensions	52.5 x 59.2 x 15 mm
Weight	76.5 g
Operating temperature	-40°C to +85°C
Execution	External
Method of attachment	Adhesive
Cable type	RG174 / U
The cable length	3 m
Connector type	SMA(m)

DRAWING



VARIANT	PART NUMBER

CONTACTS

SECTRON s.r.o. Josefa Šavla 1271/12
709 00 Ostrava 9, Czech Republic

WWW.SECTRON.CZ
Tel.: +420 556 621 021