

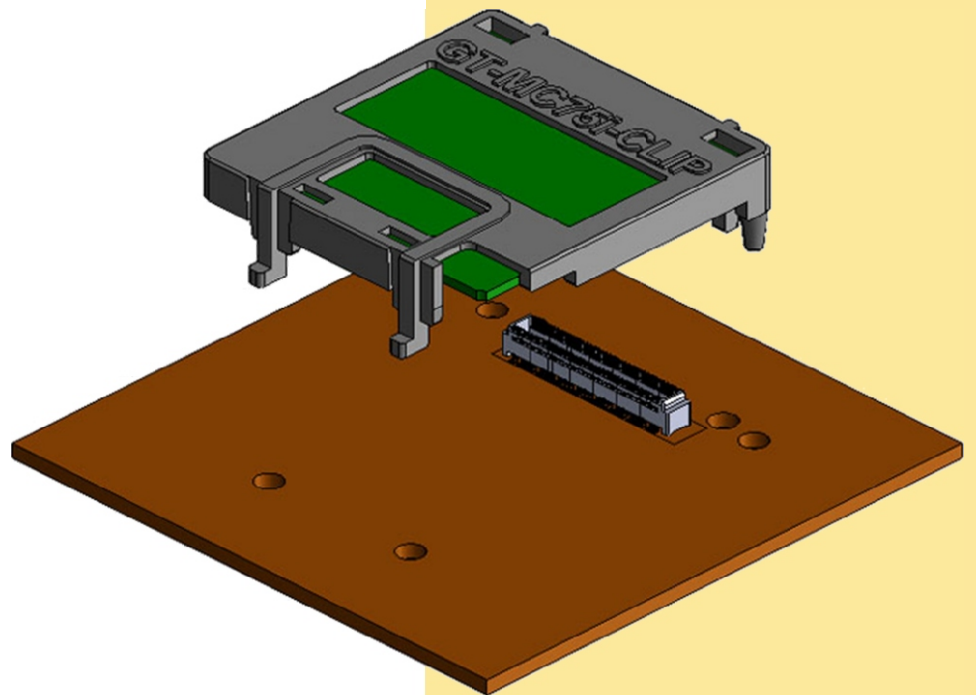
# MOUNTING CLIP

## Mounting clip for MC75i / TC65i / TC63i Cinterion Wireless Module

SECTRON company offers useful accessories for firm and reliable assembly of Cinterion Wireless Modules in your applications.

### Features and benefits

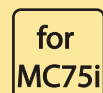
- Easy and fast assembling
- Firm fixture



Cinterion Wireless Modules assembling



Clip for Board to board connection



## Specification

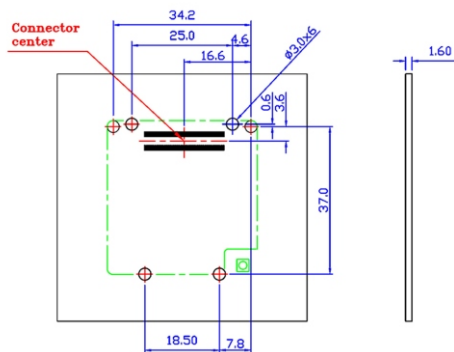
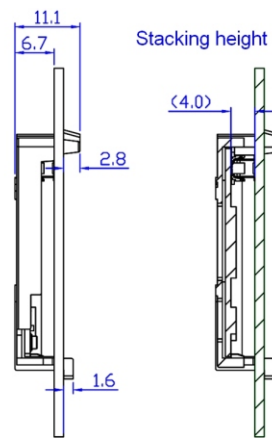
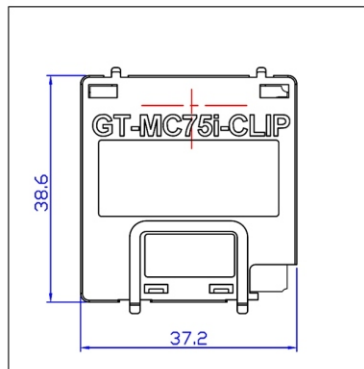
Clip material	PC-940A (Flame retardant PC)
Color	Black
Operating temperature	-40 °C to +100 °C
Weight	2 g

## Board-board connector info

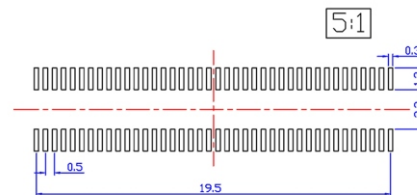
CinterionWM board side header	Hirose SD-53748-0800
PCB mating board side receptable	Hirose SD-53916-0800
Size	80 pins
Stacking height	4.0 mm
PCB mating board thickness	1.6 mm
Pulling force (MOdule CLIP on PCB)	minimum 5N

## Drawing

Assembled dimension (in mm)



Module Clip PCB Footprint



Connector Receptable PCB Footprint

Units: mm

## Part Numbering

GT-MC75iCLIP      Mounting clip for Cinterion WM MC75i / TC65i / TC63i