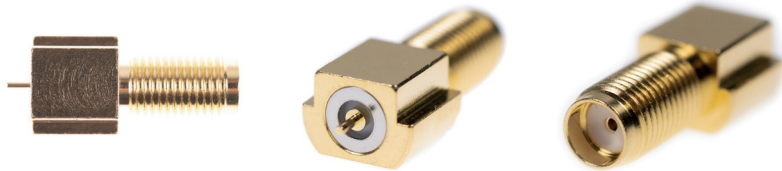


Connector SMA(f) for PCB, EDGE, rev. 2

AO-SMA-EDGE2



SECTRON company offers a wide portfolio of high-quality handmade cable adaptors and connectors in various versions for M2M applications.

Coaxial RF cable connectors are an important part of quality cable adaptors. SECTRON product portfolio includes brand connectors suitable for frequencies up to 18 GHz.

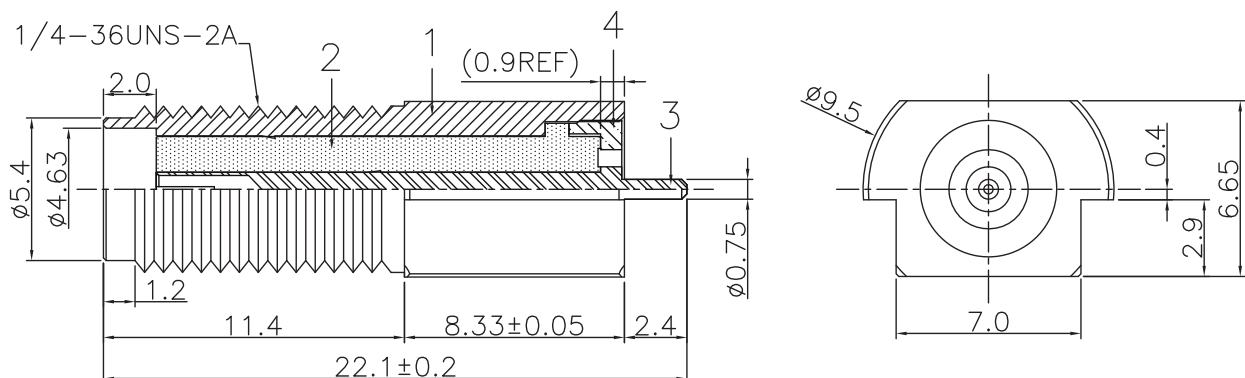
FEATURES

Impedance	50±2 Ω
Frequency range	up to 10 GHz
Maximum VSWR (10GHz)	<1:1.27
Insulation resistance	≥5 GΩ
Center contact resistance	≤6 mΩ
Outer contact resistance	≤2 mΩ
Operating voltage	max. 200 V AC/1 min
Mating cycles	≥500
Temperature range	-65 °C ~ 165 °C
Weight	4.44 g
Certification	RoHS, ISO 9001, ISO 14001

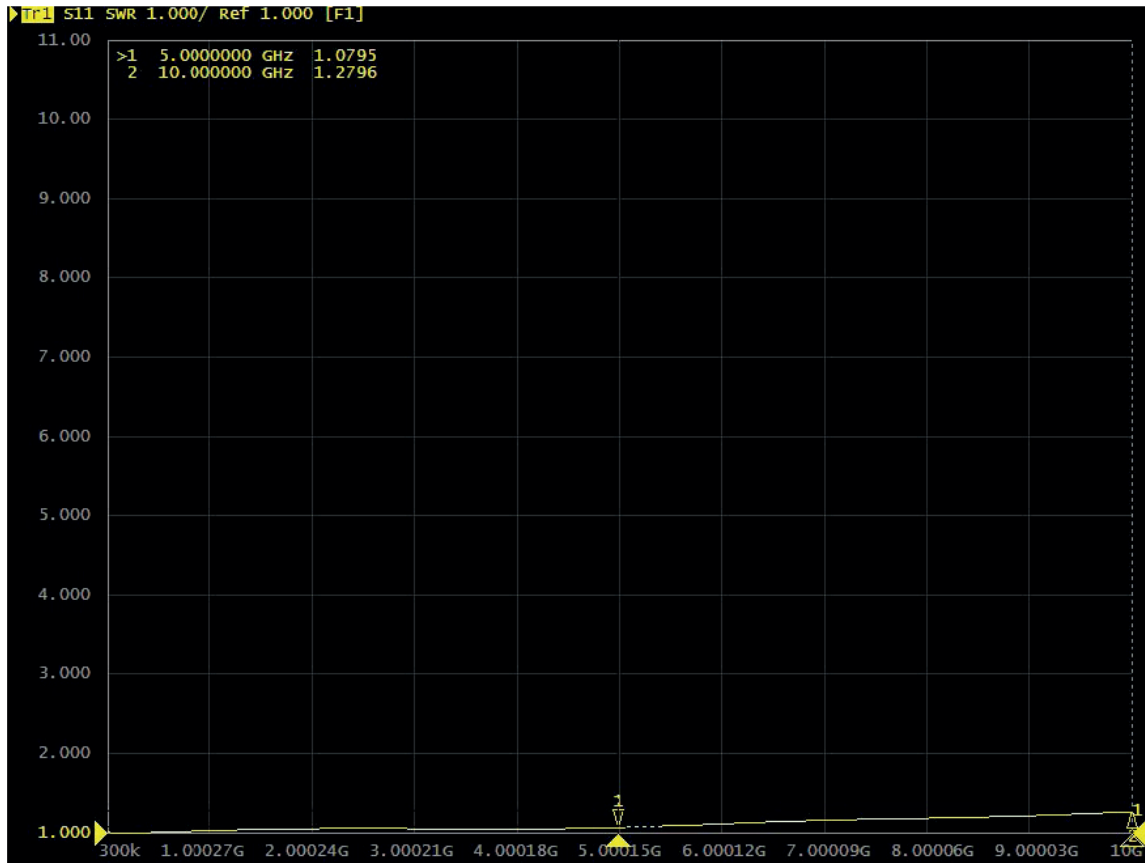
MATERIAL AND FINISH

Body	Brass / Gold plated
Insulator	Teflon
Center contact	Brass / Gold plated
Crimp ferrules	Brass / Gold flash
Clamp gasgets	Silicone rubber
Mating cycles	500 cycles

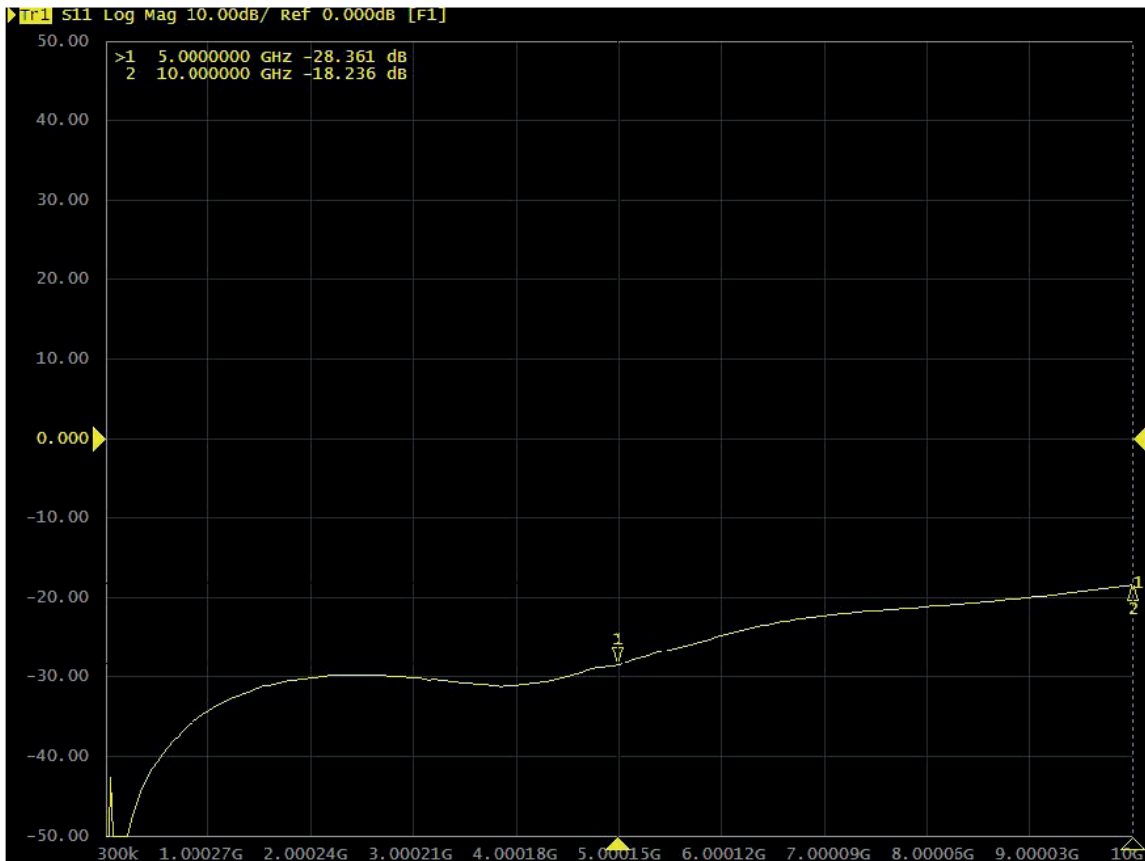
DRAWING - CONNECTOR



VSWR



INSERTION LOSS



CZ: +420 556 621 030
INT: +420 556 621 020

CZ: obchod@sectron.cz
INT: sales@sectron.cz

SECTRON s.r.o.
Josefa Šavla 12, 709 00 Ostrava, Czech Republic